

TEST REPORT

1. Applicant

Name : LG Electronics Inc.
Address : 20, Yeouido-dong, Yeongdeungpo-gu, Seoul, Korea

2. Products

Name : Dome Camera
Model/Type : LCP3750T
Manufacturer : -

3. Test Standard/Method : KS C IEC 62262 (IK 10)

4. Test Results : Pass

5. Use of Report : Quality Control

6. Date of Application : 2012. 08. 24.

7. Date of Issue : 2012. 08. 28.

Tested by



Lee Won-Jae

Machinery Convergence Technology Center

Approved by



Kim, Byung Ro

Machinery Convergence Technology Center

The test results contained apply only to the test sample (s) supplied by the applicant, and this test report shall not be reproduced in full or in part without approval of KTL in advance.

Korea Testing Laboratory



723, Haean-ro, Sangnok-gu, Ansan-si, Gyeonggi-do, KOREA
http://www.ktl.re.kr
FP204-03-02

Tel. : +82-31-500-0364
Fax. : +82-31-500-0429



※ 위 마크는 추후 전자확인증 대조 프로그램에서 원본대조시 사용되는 2D코드입니다.

1. Test Sample

1.1 Name : Dome Camera

1.2 Model : LCP3750T

1.3 Specification

Enclosure	Thickness (mm)	Material	Dimensions
CCTV Hemisphere	2.5	Polycarbonate	∅ 158 mm
Bottom Case	2.5	Polycarbonate	∅ 234.6 mm × 160 mm (H)



Figure 1. Articles (before and after)

2. Test Specifications

2.1 Test equipment :

Vertical hammer type impact tester (IEC 60068-2-75)

2.2 Test standard : KS C IEC 62262 - IK 10

2.3 Impact energy : 20 J

2.4 Total number of impacts : 5 times

2.5 Impact positions : Refer to the drawing below

2.6 Environmental conditions

- Temperatures : (20 ~ 30) °C
- Air Pressure : (86 ~ 106) kPa

2.7 Criteria after impact test

- Visual inspection :
Check if breakage, crack, and separation occur.

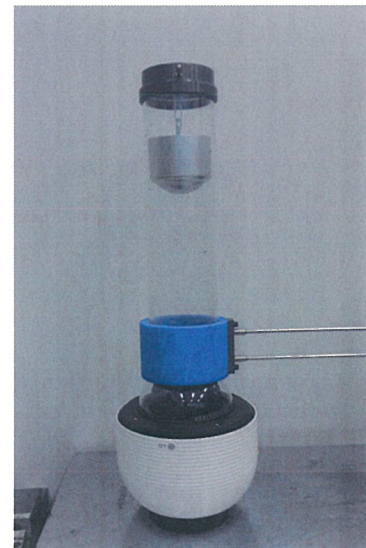


Figure 2. Test setup

FP204-04-01



※ 위 마크는 추후 전자확인증 대조 프로그램에서 원본대조시 사용되는 2D코드입니다.

3. Result

Test Items	Criteria	Result
Visual inspection	check if breakage, crack, and separation occur.	Intact

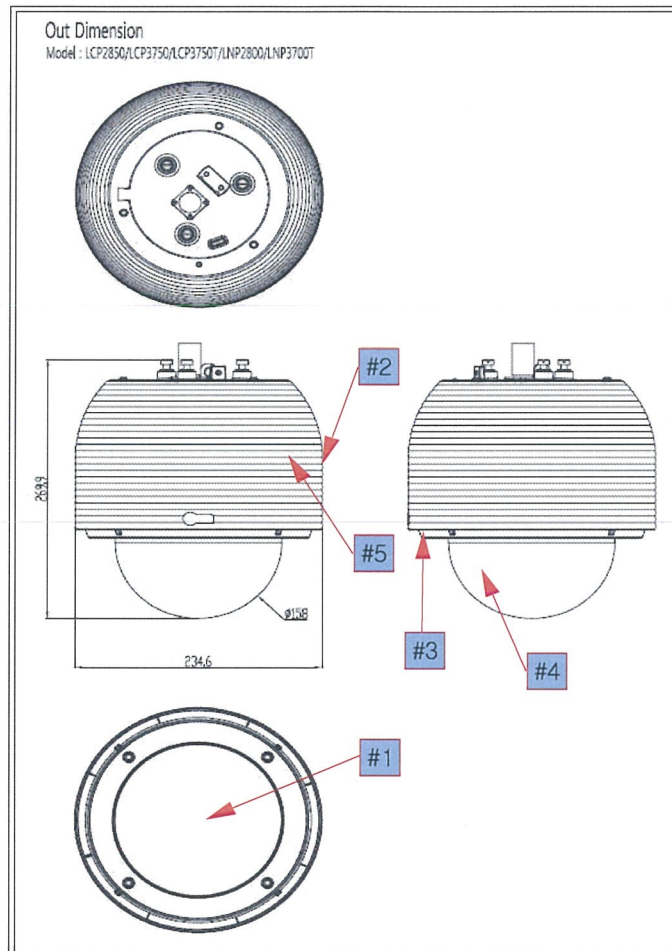


Figure 3. Drawing and impact positions

4. Reference Data

4.1 Identical Model : LCP2850, LCP3750, LNP2800, LNP3700T

-END-

FP204-04-01



※ 위 마크는 추후 전자확인증 대조 프로그램에서 원본대조시 사용되는 2D코드입니다.